



Product specifications GRP tunnels

Declaration of Conformity

We, Sleipner Motor AS hereby declares that our SidePower GRP tunnels, when installed with our instructions, meets the criteria outlined in our technical information sheet, production declaration from our supplier, Bjästad Plast AB and the component datasheets. The following products are declared:

GRP tunnels



The Sidepower thruster tunnels are of a very high quality, ensuring perfect fit for the thruster, exceptional strength, easy installation and fully osmosis safe.

- Longitudinal and cross woven construction
- High quality osmosis protection
- Several lengths for each thruster model



Art #	Description	Inside diameter mm	Wall thickness mm	Outside diameter mm	Length mm
4001	tunnel	110	4	118	750
4010	tunnel	110	4	118	1000
5001	tunnel	125	4	133	600
5002	tunnel	125	4	133	900
5003	tunnel	125	4	133	1250
5004	tunnel	125	4	133	2500
5005	tunnel	125	4	133	5000
6001	tunnel	132	4	140	750
6010	tunnel	132	4	140	1000
6024	tunnel	132	5	142	1500
6025	tunnel	132	5	142	2500
7010	tunnel	160	5	170	1000
7015	tunnel	160	5	170	1500
7025	tunnel	160	5	170	2500
8000	tunnel	185	4	193	6000
8001	tunnel	185	4	193	750
8010	tunnel	185	4	193	1000
8013	tunnel	185	4	193	1100
8015	tunnel	185	4	193	1500
8025	tunnel	185	4	193	2500
9000	tunnel	185	6	197	6000
9001	tunnel	185	6	197	850
9002	tunnel	185	6	197	380
9003	tunnel	185	6	197	1250
9004	tunnel	185	6	197	3000
9005	tunnel	185	6	197	1750
9006	tunnel	185	6	197	170
9010	tunnel	185	6	197	1000
9013	tunnel	185	6	197	1300
9015	tunnel	185	6	197	1500
9020	tunnel	185	6	197	2000
9025	tunnel	185	6	197	2500
10005	tunnel	250	7	264	650
10010	tunnel	250	7	264	1000
10015	tunnel	250	7	264	1500
10018	tunnel	250	7	267	1750
10020	tunnel	250	7	264	2000
10025	tunnel	250	7	264	2500
10026	tunnel	250	7	264	4000
10045	tunnel	250	7	264	1250
12010	tunnel	215	6	227	1000
12012	tunnel	215	6	227	1250
12015	tunnel	215	6	227	1500
12020	tunnel	215	6	227	2000
13010	tunnel	300	10	320	1000
13015	tunnel	300	10	320	1500
13020	tunnel	300	10	320	2000
13025	tunnel	300	10	320	2500
13710	tunnel	386	12	410	1000
13715	tunnel	386	12	410	1500
13718	tunnel	386	16	545	1500
13719	tunnel	610	18	646	1500
13719C	tunnel	609	18	646	1000
13720	tunnel	386	12	410	2000
13721C	tunnel	610	20	649	1500
13723	tunnel	513	16	545	2000
13724	tunnel	610	18	646	2000
13725	tunnel	386	12	410	2500
13729	tunnel	513	16	545	2500
13730	tunnel	513	16	545	3000
13731	tunnel	610	18	646	3000
13732	tunnel	610	18	646	2500
13733	tunnel	513	16	545	5000

FREDRIKSTAD, 18th of February 2015

Arne Skauen

Arne K Skauen
Managing Director, Sleipner Motor AS

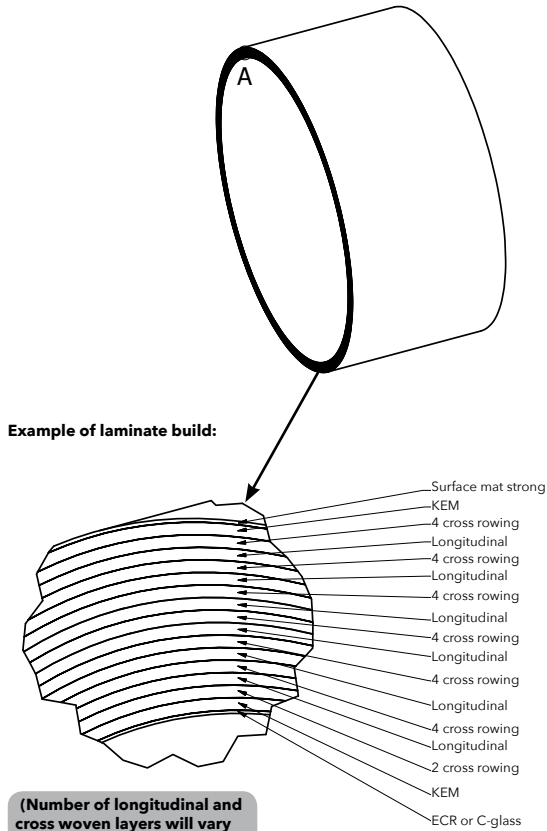


Confidence by Control

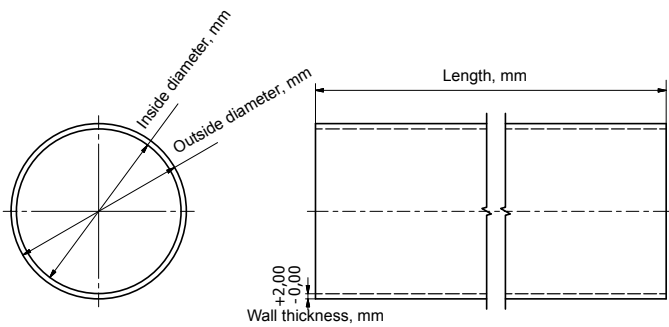
SIDE-POWER.com



Technical laminate build



(Number of longitudinal and cross woven layers will vary depending on the tunnel wall thickness) More details for each tunnel can be sent on request.



Technical specifications

Art #	Description	Inside diameter mm	Wall thickness mm	Tolerance mm	Outside diameter mm	Length mm	Weight kg	Resin
4001	tunnel	110	4	+2,00 / -0,00	118	750	1,9	ISO
4010	tunnel	110	4	+2,00 / -0,00	118	1000	2,5	ISO
5001	tunnel	125	4	+2,00 / -0,00	133	600	1,7	ISO
5002	tunnel	125	4	+2,00 / -0,00	133	900	2,5	ISO
5003	tunnel	125	4	+2,00 / -0,00	133	1250	3,5	ISO
5004	tunnel	125	4	+2,00 / -0,00	133	2500	7,1	ISO
5005	tunnel	125	4	+2,00 / -0,00	133	5000	14,1	ISO
6001	tunnel	132	4	+2,00 / -0,00	140	750	2,2	ISO
6010	tunnel	132	4	+2,00 / -0,00	140	1000	3	ISO
6024	tunnel	132	5	+2,00 / -0,00	142	1500	5,6	ISO
6025	tunnel	132	5	+2,00 / -0,00	142	2500	9,3	ISO
7010	tunnel	160	5	+2,00 / -0,00	170	1000	4,5	ISO
7015	tunnel	160	5	+2,00 / -0,00	170	1500	6,8	ISO
7025	tunnel	160	5	+2,00 / -0,00	170	2500	11,3	ISO
8000	tunnel	185	4	+2,00 / -0,00	193	6000	25,1	ISO
8001	tunnel	185	4	+2,00 / -0,00	193	750	3,1	ISO
8010	tunnel	185	4	+2,00 / -0,00	193	1000	4,2	ISO
8013	tunnel	185	4	+2,00 / -0,00	193	1100	4,6	ISO
8015	tunnel	185	4	+2,00 / -0,00	193	1500	6,3	ISO
8025	tunnel	185	4	+2,00 / -0,00	193	2500	10,5	ISO
9000	tunnel	185	6	+2,00 / -0,00	197	6000	37,6	ISO
9001	tunnel	185	6	+2,00 / -0,00	197	850	5,3	ISO
9002	tunnel	185	6	+2,00 / -0,00	197	380	2,4	ISO
9003	tunnel	185	6	+2,00 / -0,00	197	1250	7,8	ISO
9004	tunnel	185	6	+2,00 / -0,00	197	3000	18,8	ISO
9005	tunnel	185	6	+2,00 / -0,00	197	1750	11	ISO
9006	tunnel	185	6	+2,00 / -0,00	197	170	1,1	ISO
9010	tunnel	185	6	+2,00 / -0,00	197	1000	6,3	ISO
9013	tunnel	185	6	+2,00 / -0,00	197	1300	8,2	ISO
9015	tunnel	185	6	+2,00 / -0,00	197	1500	9,4	ISO
9020	tunnel	185	6	+2,00 / -0,00	197	2000	12,5	ISO
9025	tunnel	185	6	+2,00 / -0,00	197	2500	15,7	ISO
10005	tunnel	250	7	+2,00 / -0,00	264	650	6,4	ISO
10010	tunnel	250	7	+2,00 / -0,00	264	1000	9,9	ISO
10015	tunnel	250	7	+2,00 / -0,00	264	1500	14,8	ISO
10018	tunnel	250	7	+2,00 / -0,00	267	1750	17,3	ISO
10020	tunnel	250	7	+2,00 / -0,00	264	2000	19,8	ISO
10025	tunnel	250	7	+2,00 / -0,00	264	2500	27,7	ISO
10026	tunnel	250	7	+2,00 / -0,00	264	4000	39,6	ISO
10045	tunnel	250	7	+2,00 / -0,00	264	1250	12,4	ISO
12010	tunnel	215	6	+2,00 / -0,00	227	1000	7,3	ISO
12012	tunnel	215	6	+2,00 / -0,00	227	1250	9,1	ISO
12015	tunnel	215	6	+2,00 / -0,00	227	1500	10,9	ISO
12020	tunnel	215	6	+2,00 / -0,00	227	2000	14,6	ISO
13010	tunnel	300	10	+2,00 / -0,00	320	1000	17	ISO
13015	tunnel	300	10	+2,00 / -0,00	320	1500	25,4	ISO
13020	tunnel	300	10	+2,00 / -0,00	320	2000	33,9	ISO
13025	tunnel	300	10	+2,00 / -0,00	320	2500	42,4	ISO
13710	tunnel	386	12	+2,00 / -0,00	410	1000	26,2	ISO
13715	tunnel	386	12	+2,00 / -0,00	410	1500	39,3	ISO
13718	tunnel	386	16	+2,00 / -0,00	545	1500	69,6	ISO
13719	tunnel	610	18	+2,00 / -0,00	646	1500	92,9	ISO
13719C	tunnel	609	18	+2,00 / -0,00	646	1000	62	ISO
13720	tunnel	386	12	+2,00 / -0,00	410	2000	52,4	ISO
13721C	tunnel	610	20	+2,00 / -0,00	649	1500	103,3	ISO
13723	tunnel	513	16	+2,00 / -0,00	545	2000	92,8	ISO
13724	tunnel	610	18	+2,00 / -0,00	646	2000	123,9	ISO
13725	tunnel	386	12	+2,00 / -0,00	410	2500	65,5	ISO
13729	tunnel	513	16	+2,00 / -0,00	545	2500	116	ISO
13730	tunnel	513	16	+2,00 / -0,00	545	3000	139,2	ISO
13731	tunnel	610	18	+2,00 / -0,00	646	3000	185,9	ISO
13732	tunnel	610	18	+2,00 / -0,00	646	2500	154,9	ISO
13733	tunnel	513	16	+2,00 / -0,00	545	5000	232	ISO



Material specifications

Component	Material:	
Tunnels from 4mm - 14mm wall thickness	ISO Polyester	Polylite 720-M850
Tunnels from 15mm - 22mm wall thickness	ISO Polyester	Polylite 720-M888

*See material data sheet

Maintenance

- Make sure to apply antifouling inside of the tunnel. Regular antifouling procedure must be followed.

Health and safety

- Installation and use: The tunnels must be installed and operated by qualified personell only according to applicable rules and standards. Use personal protection equipment.
- Fire and safety precautions: Polyester/resin is flammable, and appropriate measures must be taken.
- Avoid contact with resin gasses and ensure good ventilation/exhaustion at the workplace.
- See material data sheet for more information and details regarding health and safety measures and other technical measures.

This document may contain typographical errors, to which Sleipner Motor assumes no responsibility.



Sleipner Motor AS
 P.O. Box 519,
 N-1612 Fredrikstad, Norway
 Tel: +47 69 30 00 60
 Fax: +47 69 30 00 70
 sidepower@sleipner.no
 www.side-power.com



Confidence by Control

SIDE-POWER.com

Product specification - Tunnels